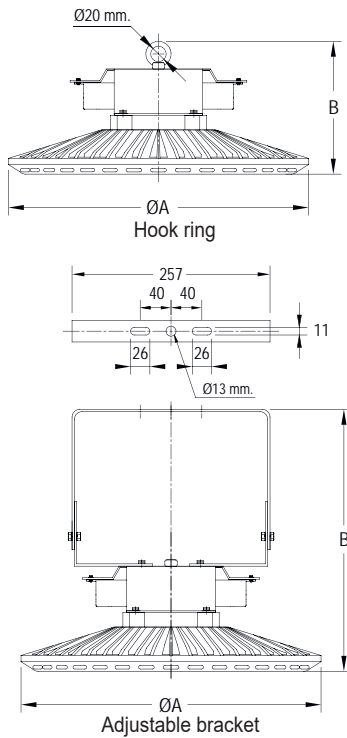


## Feature

- LED high bay is installed on high roofs, industrial buildings, warehouses, illuminated from top to bottom.
- The housing is made of aluminum injection molding. Good heat dissipation and light weight.
- Colour rendering index (CRI) more than 70
- Water and dust protection standards IP65
- Passed the radio disturbance limits TIS1955-2551
- Long lifespan of up to 50,000 hours (L70)
- Light colors 730, 740, 757 and 765

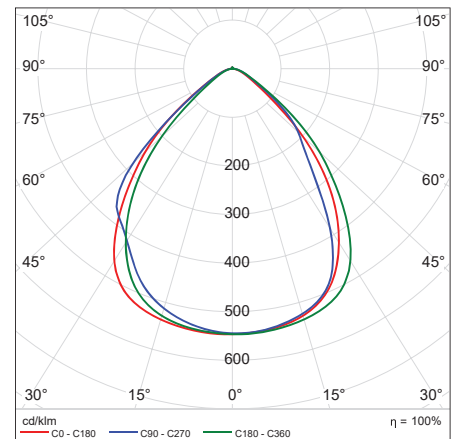


## Dimension in mm.



Adjustable bracket (optional)

## Luminous Intensity Distribution



LED Power	Dimension in mm.					
	Hook ring			Adjustable bracket		
	ØA	B	Weight (kgs.)	ØA	B	Weight (kgs.)
80W.	282	153	2.75	282	153	2.95
100W.			3.26			3.46
120W.	385	186	5.30	385	186	5.50
150W.			5.30			5.50
180W.			5.89			6.09
200W.			5.89			6.09

Cat. No.	AL-UFO-80W/ □	AL-UFO-100W/ □	AL-UFO-120W/ □	AL-UFO-150W/ □	AL-UFO-180W/ □	AL-UFO-200W/ □
Input voltage	110-240V.ac 50/60Hz.					
LED power	80W.	100W.	120W.	150W.	180W.	200W.
Power factor	>0.95					
Lumen output	9,074 lm	11,300 lm	14,384 lm	17,900 lm	21,900 lm	23,549 lm
Luminous efficient	113 lm/W	113 lm/W	119 lm/W	119 lm/W	119 lm/W	119 lm/W
Colour temperature	3,000K ; 4,000K ; 5,700K or 6,500K					
THDi	<15%					
Chip	Cree					
LED quantity	90 pcs.	120 pcs.	180 pcs.	180 pcs.	240 pcs.	240 pcs.
CRI	RA > 70					
Beam angle	60-90 degree					
Life time	>50,000 Hrs. (70% lumen maintenance)					
Ambeint temperature	-25°C to +60°C					
Driver	Mean well (meet 6kV surge immunity level, 10kV external surge is option)					
Housing material	Aluminium					
Standard	TIS1955-2551					
Warranty	3 years					

Replace □ Colour temperature ; 730 : 3,000K 740 : 4,000K 757 : 5,700K 765 : 6,500K