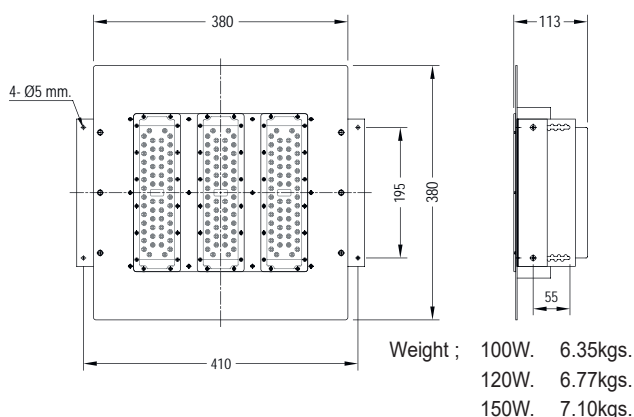


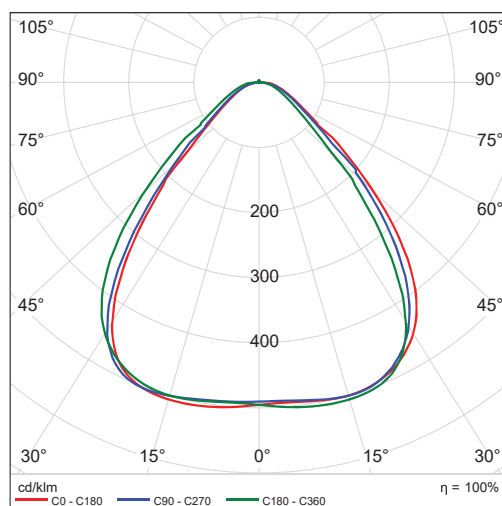
Feature

- can be effectively used in outdoor ceiling mount locations. Commercial, industrial, retail and healthcare exterior lighting; Parking garages, awnings, canopies, security lighting, etc.
- The housing is made of aluminum injection molding. Good heat dissipation and light weight.
- Colour rendering index (CRI) more than 70
- Passed the radio disturbance limits TIS1955-2551
- Long lifespan of up to 50,000 hours (L70)
- High efficiency up to 140 lm/W
- Light colors 730, 740, 757 and 765

Dimension in mm.



Luminous Intensity Distribution



Cat. No.	AL-DL-100W/ □	AL-DL-120W/ □	AL-DL-150W/ □
Input voltage	110-240V.ac 50/60Hz.		
LED power	100W.	120W.	150W.
Power factor	>0.95		
Lumen output	14,489 lm	15,900 lm	19,000 lm
Luminous efficient	144 lm/W	130 lm/W	127 lm/W
Colour temperature	3,000K ; 4,000K ; 5,700K or 6,500K		
THDi	<15%		
Chip	Cree, Nichia		
LED quantity	112 pcs.	168 pcs.	168 pcs.
CRI	RA > 70		
Beam angle	90-100 degree		
Life time	>50,000 Hrs. (70% lumen maintenance)		
Ambeint temperature	-25°C to +60°C		
Driver	Mean well (meet 6kV surge immunity level, 10kV external surge is option)		
Housing material	Aluminium		
Standard	TIS1955-2551		
Warranty	3 years		

Replace □ Colour temperature ; 730 : 3,000K 740 : 4,000K 757 : 5,700K 765 : 6,500K