

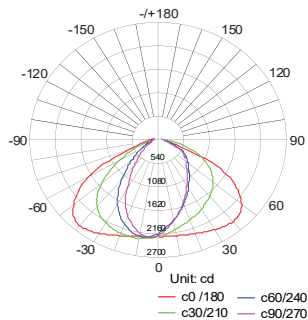
Integrated Solar Street Lights, AL-ST4 series

Outdoor use, IP65

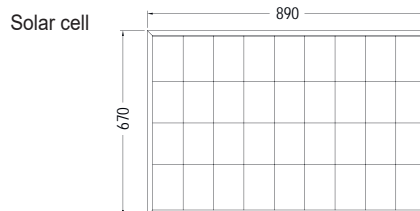
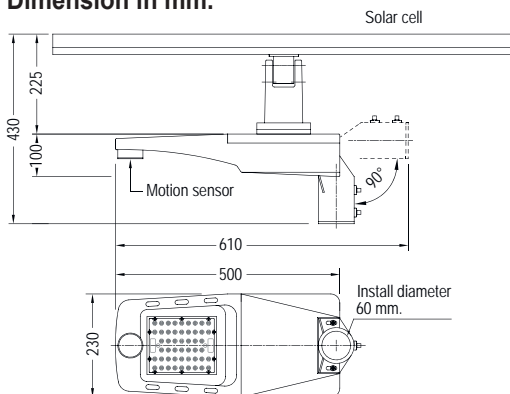
Feature

- The integrated solar street lights can be used for night lighting at the Street / Government Project/ Garden/ Courtyard/ Roadway/ Pathway/ Public Square/ Campus/ Parking etc.
- The housing is made of aluminum injection molding. Good heat dissipation and light weight.
- Colour rendering index (CRI) more than 70
- Water and dust protection standards IP65
- Passed the radio disturbance limits TIS1955-2551
- Long lifespan of up to 50,000 hours (L70)
- Energy is saved about 75% than traditional street light
- With motion sensor

Luminous Intensity Distribution



Dimension in mm.



Cat. No.	AL-ST4-35W/ □	AL-ST4-50W/ □	AL-ST4-80W/ □
LED power	35W.	50W.	80W.
Solar max. power	18V. 40W.	18V. 60W.	18V. 100W.
Lumen output (full power mode)	5,500 lm (50% saving mode)	8,000 lm (50% saving mode)	14,000 lm (50% saving mode)
Luminous efficient	150 lm/W	150 lm/W	180 lm/W
Colour temperature	3,000K ; 4,000K ; 5,700K or 6,500K		
Chip	Cree, Lumileds 3030		
Installation height	3-4 metre	5-6 metre	6-8 metre
CRI	RA > 70		
Beam angle	75-140 degree		
Life time	>50,000 Hrs. (70% lumen maintenance)		
Ambeint temperature	-25°C to +60°C		
Operating time	6-12 hours		
Battery capacity	Li-Polymer 12V 37Ah		
Charge time	4-6 hours		
Discharge time	3-7 rainy days		
Housing material	Aluminium		
Warranty	3 years		

Replace □ Colour temperature ; 730 : 3,000K 740 : 4,000K 757 : 5,700K 765 : 6,500K