

Lighting: LED Floodlight, DFDF Series

Flameproof/ Increased Safety and Dust protection by enclosure

Zone 1 & 2 – 21 & 22



Specification

Body material : Marine grade copper-free aluminium alloy with polyester powder coated, RAL 7032 (grey)
 Lens : Heat and impact resistant clear glass
 Bolts : Stainless steel
 Bracket : Hot-dip galvanized steel

LED System

Luminous efficient : 100 lm/W
 Colour temperature : 5700 K (cool white)
 Color Rendering Index (Ra) : >70
 Chip : CREE
 Beam angle : 60°, 100°

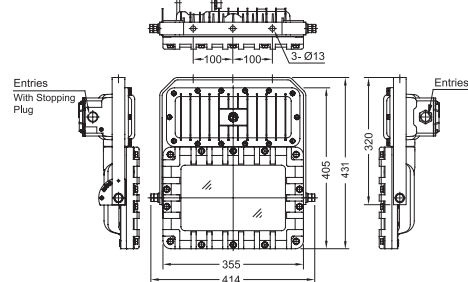
Option (specify)

Colour temperature : 3000K, 3500K, 4000K, 4500K, 5000K, 6500K or others
 Color Rendering Index (Ra) : >80
 Others beam angle of lens

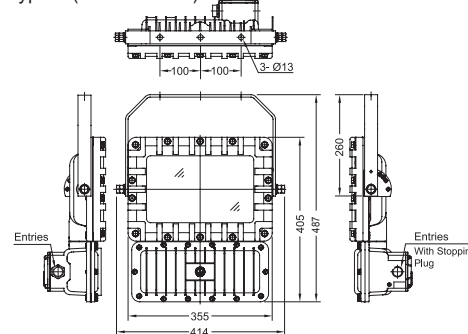
Dimension

DFDF-30 to DFDF-80

Type-1 (Top driver)

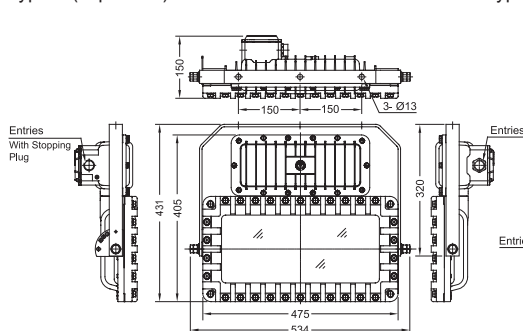


Type-2 (Bottom driver)

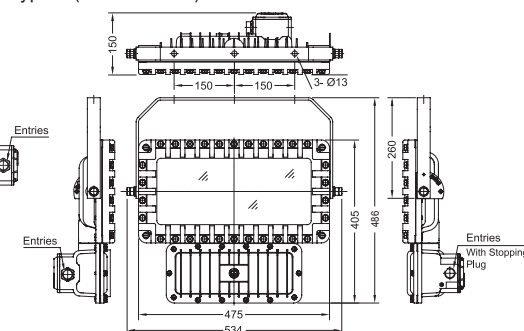


DFDF-100 to DFDF-180

Type-1 (Top driver)



Type-2 (Bottom driver)

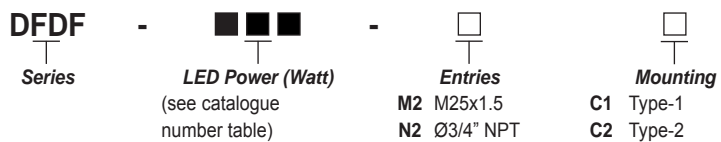


Technical Data

Hazardous Area	Gas	Dust
Zones	1 & 2	21 & 22
Equipment Group/Category	II 2G	II 2D
Symbol of Protection	Ex db eb IIB T6 Gb	Ex tb IIIC T85°C Db IP66
Certificate	TÜV CY 17 ATEX 0205814 X	
Conformity to standards	EN 60079-0:2012+A11:2013, EN 60079-1:2014, EN 60079-7:2015, EN 60079-31:2014, EN 60598-1:2015	
Ambient Temperature	0°C to +55°C	
Index of Protection	IP66	
Entries	2- M25x1.5 or 2- Ø3/4" NPT (1- stopping plug)	
Mounting	Bracket mounting	
Connection	L, N and E ; for 1-4mm. ² cable (Through wiring system with an extra terminal block for cable connection at both ends.)	
Rated Voltage	110-240V.ac 50/60Hz., THDi < 20%, P.F. ≥ 0.95	



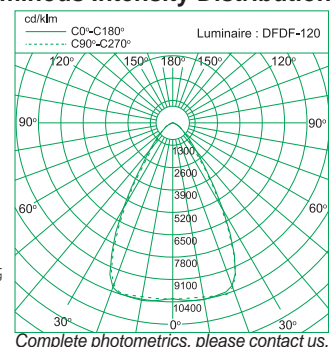
Catalogue Number Logic



Ordering Requirements

Cat. No.	LED Power	Voltage	Temp. Class (for zone 1 & 2)		Max. Surface Temp.* (for zone 21 & 22)		Approx. Weight (kgs.)
			Ta 40 °C	Ta 55 °C	Ta 40 °C	Ta 55 °C	
DFDF-30 - □	30W.	110-240V.ac 50/60Hz.	T6	T6	T85°C	T85°C	17.0
DFDF-40 - □	40W.						
DFDF-50 - □	50W.						
DFDF-60 - □	60W.						
DFDF-70 - □	70W.						
DFDF-80 - □	80W.	110-240V.ac 50/60Hz.	T6	T6	T85°C	T85°C	19.8
DFDF-100 - □	100W.						
DFDF-120 - □	120W.						
DFDF-150 - □	150W.						
DFDF-170 - □	170W.						
DFDF-180 - □	180W.						

Polar Luminous Intensity Distribution



Remark * : The maximum surface temperatures are specified for dust free condition. The dust layer which may cover around the lighting fixture will cause to higher surface temperature.