

# Lighting: H.I.D. (High Intensity Discharge) Lighting Fixture, DLF1-MV, DLF1-PS, DLF1-MH Series



Flameproof/ Increased Safety and Dust protection by enclosure

Zone 1 & 2 – 21 & 22

## Specification

Body material : Marine grade copper-free aluminium alloy with polyester powder coated, RAL 7032 (grey)  
 Globe : Borosilicate glass  
 Guard, bolts : Stainless steel  
 Seal gasket : Silicone  
 Bracket : Hot-dip galvanized steel



## Technical Data

<b>Hazardous Area Zones</b>	Gas 1 & 2	Dust 21 & 22
<b>Equipment Group/Category</b>	Ex II 2G	Ex II 2D
<b>Symbol of Protection</b>	Ex db eb IIC T** Gb	Ex tb IIIC T** °C Db IP66
<b>Certificate</b>	TÜV CY 18 ATEX 0206011 X	
<b>Conformity to standards</b>	EN 60079-0:2012+A11:2013, EN 60079-1:2014, EN 60079-7:2015, EN 60079-31:2014	
<b>Ambient Temperature</b>	-20°C to +55°C	
<b>Index of Protection</b>	IP66	
<b>Entries</b>	2- M25x1.5 or 2- Ø3/4" NPT (1-stopping plug)	
<b>Mounting</b>	Ceiling or Bracket mounting (standard) (Optional mounting ; 2x M10 eye bolts, clamps for pipe)	
<b>Connection</b>	L, N and E ; for 1-4mm. <sup>2</sup> cable (Through wiring system with an extra terminal block for cable connection at both ends.)	
<b>Rated Voltage</b>	220/ 230/ 240V.ac ±5% 50/60Hz.	

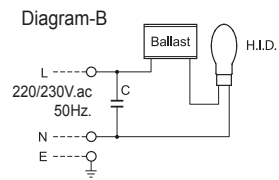
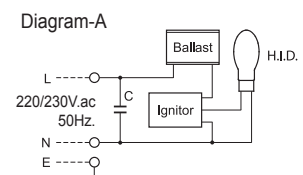
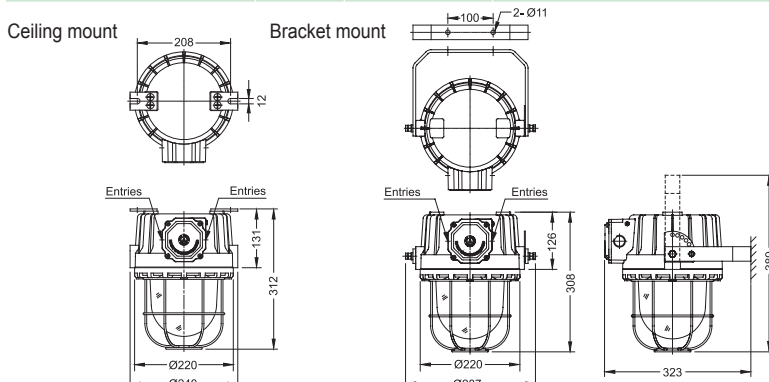
\*\* See temperature class on catalogue number table.

## Catalogue Number Logic

<b>DLF1</b>	-	-	-	-	-	-
<b>Series</b>	<b>Type</b>	<b>Lamp Watt</b>	<b>Voltage</b>	<b>Accessories</b>	<b>Mounting</b>	<b>Entries</b>
MV	Mercury Vapour	(see catalogue number table)	22 220V.ac 50Hz.	R Reflector	C Ceiling	M2 M25x1.5
PS	High Pressure Sodium		23 230V.ac 50Hz.	G Basket guard	B Bracket	N2 Ø3/4" NPT
MH	Metal halide					

## Ordering Requirements and Dimension

Cat. No.	Lamp Watt	Voltage	Lamp Model (Lamp/ Ballast/ Ignitor)	Temp. Class (for zone 1 & 2)		Max. Surface Temp.* (for zone 21 & 22)		Wiring Diagram	Approx. Weight (kgs.)
				Ta 40 °C	Ta 55 °C	Ta 40 °C	Ta 55 °C		
<b>Mercury Vapor Lamp</b>									
DLF1-MV-08022	80W.	220V.ac 50Hz.	HPL-N 80W / Q80.587 / -	T5	T4	T100°C	T135°C	Dia-B	8.7
DLF1-MV-12522	125W.	230V.ac 50Hz.	HPL-N 80W / OMB80-35 / -	T5	T5	T100°C	T100°C	Dia-B	
DLF1-MV-08023	80W.		HPL-N 125W / Q125.549 / -	T5	T4	T100°C	T135°C	Dia-B	
DLF1-MV-12523	125W.	HPL-N 80W / Q80.588 / -	T5	T5	T100°C	T100°C	Dia-B		
<b>High Pressure Sodium Lamp</b>									
DLF1-PS-07012	70W.	220V.ac 50Hz.	SON-70WI / NaHJ70.320 / -	T5	T5	T100°C	T100°C	Dia-B	8.7
DLF1-PS-07013		230V.ac 50Hz.	SON-70WI / NaHJ70.158 / -	T5	T4	T100°C	T135°C	Dia-B	
DLF1-PS-07023			SON-70W / NaHJ70.158 / Z400M	T5	T4	T100°C	T135°C	Dia-A	8.9
<b>Metal Halide Lamp</b>									
DLF1-MH-07022	70W.	220V.ac 50Hz.	MH 70W / NaHJ70.320 / Z400M	T5	T4	T100°C	T135°C	Dia-A	8.9
			MH 70W / OMS 70-T35 / Z400M	T5	T5	T100°C	T100°C	Dia-A	
DLF1-MH-10022	100W.		MH 100W / OMS 100 / Z400M	T5	T4	T100°C	T135°C	Dia-A	
DLF1-MH-07023	70W.	230V.ac 50Hz.	MH 70W / NaHJ70.128 / Z400M	T5	T4	T100°C	T135°C	Dia-A	



Remark \*: The maximum surface temperatures are specified for dust free condition. The dust layer which may cover around the lighting fixture will cause to higher surface temperature.