

Enclosure: Terminal Box, TBE1 Series



Increased Safety and Dust protection by enclosure

Zone 1 & 2 – 21 & 22

Application

The TBE1 terminal boxes are designed for taps, splices or connecting of conductors for control and instrument. These boxes are suitable for explosive atmospheres zone 1, 2 and zone 21, 22.

Specification

Housing material : Marine grade copper-free aluminium alloy with polyester powder coated, RAL 7032 (Grey)
Sealing (O-ring) : Silicone -40 °C to +175 °C
Lid screws : Stainless steel

Electrical Rating

Rated voltage : up to 630V.
Rated current : up to 41A.
(depending on type of terminal used)

Option

please specify

- Terminal sizes and number of poles.

Technical Data

Hazardous Area	Gas	Dust
Zones	1 & 2	21 & 22
Equipment Group/Category	⊕ II 2G	⊕ II 2D
Symbol of Protection	Ex e II T6/T5	Ex tD A21 IP66 T85°C/ T100°C
Certificate	PTB 04 ATEX 1090	
Conformity to Standards	EN 60079-0:2006, EN 60079-7:2007, EN 61241-0:2006, EN 61241-1:2004	
Ambient Temperature	-20°C to +55°C	
Index of Protection	IP66	
Entries	NPT or Metric threads	
Mounting	Wall mount	



TBE1 1111



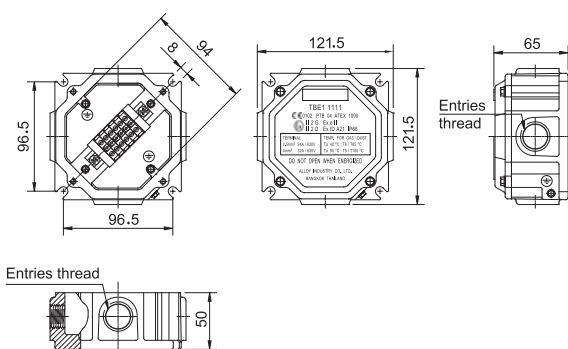
TBE1 1414

Ordering Requirements

Cat. No.	Terminal Block, Ex e (Pin type)					Maximum Terminal Block (Poles)	Maximum entries thread size NPT (Metric)			Empty Weight (kgs.)	
	Brand	Model	Wire Size	Current	Voltage		Ø1/2" (M20x1.5)	Ø3/4" (M25x1.5)	Ø1" (M32x1.5)		
TBE1 1111	ABB Entelec	DR4/6.Ex	0.5-4mm. ²	30A.	275V.	6	1	1	-	0.87	
	Phoenix Contact	MUT 4	0.5-4mm. ²	32A.	352V.						
TBE1 1414	ABB Entelec	ZS4	0.5-4mm. ²	32A.	630V.	8	2	2	1	1.65	
		ZS6	0.5-6mm. ²	41A.							
	Phoenix Contact	UK 3 N	0.5-2.5mm. ²	23A.	690V.						9
		UK 5 N	0.5-4mm. ²	30A.							8
		UK 6 N	1.5-6mm. ²	41A.	7						

Dimension

TBE1 1111



TBE1 1414

