

Signal and Alarm: Buzzer, EBZ Series



Flameproof
Zone 1 & 2 - 21 & 22

Application

The EBZ buzzers are used

- for call signals, alarms and other signaling application.
- for flat surface mounted with projectors aimed in the desired direction.
- for zone 1 and 2 hazardous areas.

Specification

Housing material : Marine grade copper-free aluminium alloy with polyester powder coated, RAL 7032 (grey)
Grill : Marine grade copper-free aluminium alloy with polyester powder coated, RAL 9017 (black)

Technical Data

Hazardous Area	Gas	Dust
Zones	1 & 2	21 & 22
Equipment Group/Category	II 2G	II 2D
Symbol of Protection	Ex d IIB T6/ T5 Gb	Ex tb IIIC T80°C/ T100°C Db IP65
Conformity to Standards	EN 60079-0:2012+A11:2013, EN 60079-1:2014, EN 60079-31:2014	
Ambient Temperature	-20°C to +55°C	
Index of Protection	IP65	
Entries	2- Ø3/4" NPT	
Mounting	Wall mounting	
Rated Voltage	6V.dc, 12V.dc, 110V.ac or 220V.ac 50Hz.	



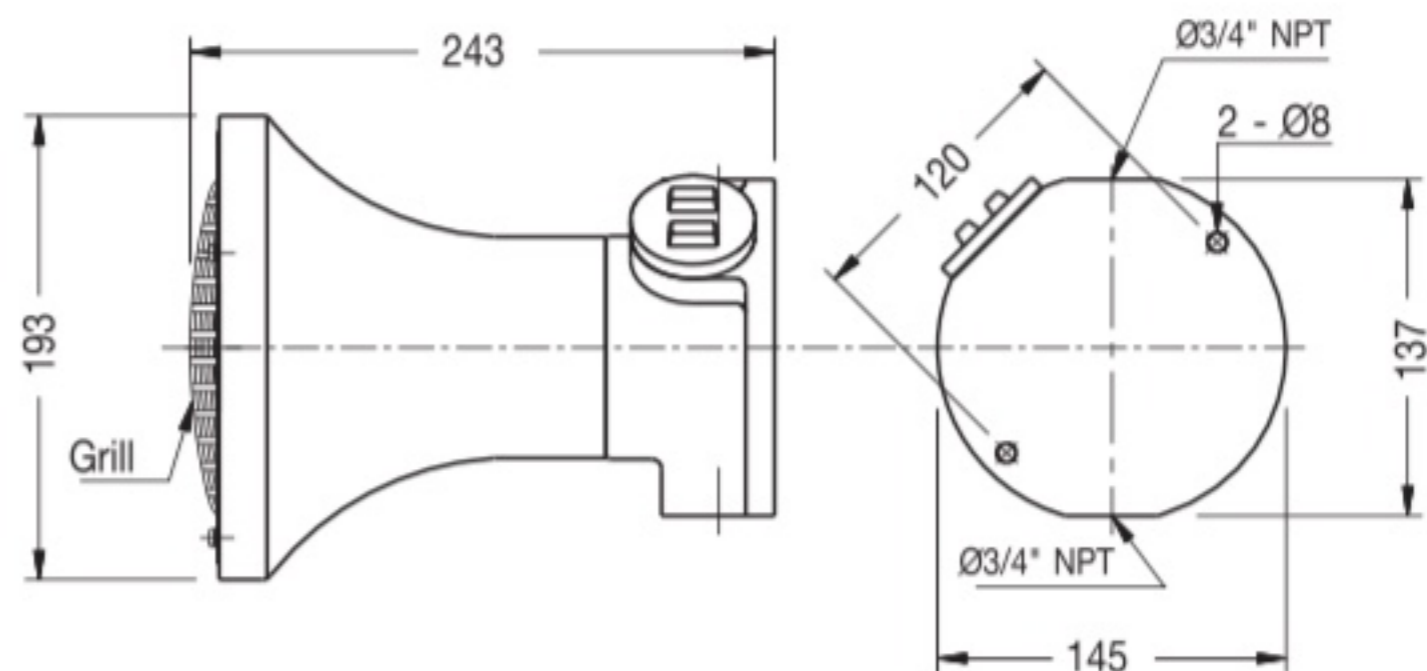
Catalogue Number Logic

EBZ	-	■ ■ ■	-	N2
Series		Voltage		Entries
06D	6V.dc	110A	110V.ac	N2 Ø3/4" NPT
12D	12V.dc	220A	220V.ac	
24D	24V.dc			

Ordering Requirements

Cat. No.	Voltage	Current	Power Consumption	Sound Level at 10 ft. (dB.)	Temp. Class (for zone 1 & 2)		Max. Surface Temp.* (for zone 21 & 22)		Volume (dm ³)	Approx. Weight (kgs.)
					Ta 40 °C	Ta 55 °C	Ta 40 °C	Ta 55 °C		
EBZ-06D-N2	6V.dc	0.03A.	0.72VA	100	T6	T5	T80°C	T100°C	1.58	4.52
EBZ-12D-N2	12V.dc	0.041A.	0.5VA							
EBZ-24D-N2	24V.dc	0.021A.	0.5VA							
EBZ-110A-N2	110V.ac	0.022A.	2.5VA	100	T6	T5	T80°C	T100°C	1.58	4.52
EBZ-220A-N2	220V.ac	0.011A.	2.5VA							

Dimension



Remark * : The maximum surface temperatures are specified for dust free condition. The dust layer which may cover around the lighting fixture will cause to higher surface temperature.