

# Signal and Alarm: Obstacle Light, EOB Series

## Flameproof

Zone 1 & 2 - 21 & 22



### Application

The EOB obstacle lights are designed for aviation warning purpose. They are suitable for installation on towers or tall buildings in zone 1, 2 and zone 21, 22 hazardous areas.

### Specification

Body material	: Marine grade copper-free aluminium alloy with polyester powder coated, RAL 7032 (grey)
Globe	: Borosilicate glass
Filter	: Plastic
Guard, bolts	: Stainless steel
Seal gasket	: Silicone

### Technical Data

<b>Hazardous Area</b>	Gas	Dust
<b>Zones</b>	1 & 2	21 & 22
<b>Equipment Group/Category</b>	II 2G	II 2D
<b>Symbol of Protection</b>	Ex d IIB T6/ T5 Gb	Ex tb IIIC T80°C/ T100°C Db IP66
<b>Conformity to Standards</b>	EN 60079-0:2012+A11:2013, EN 60079-1:2014, EN 60079-31:2014	
<b>Ambient Temperature</b>	-20°C to +55°C	
<b>Index of Protection</b>	IP66	
<b>Entries</b>	Ø3/4" NPT	
<b>Mounting</b>	Ceiling, Pendant or Bracket mounting	
<b>Rated Voltage</b>	220V.ac 50Hz.	



Ceiling mounting

Pendant mounting



Bracket mounting

### Catalogue Number Logic

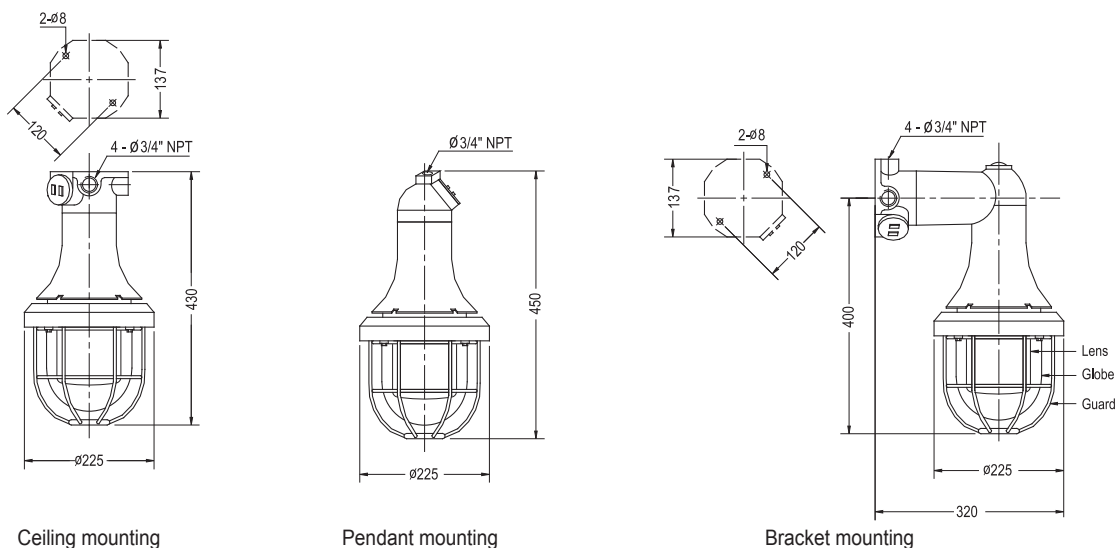
<b>EOB</b>	-	■ ■	■ ■	□	□
<b>Series</b>		<b>Lamp Watt</b>	<b>Type</b>	<b>Lens colour</b>	<b>Mounting</b>
		(see catalogue number table)	IN Incandescent CF Compact fluorescent LED LED bulb	R Red O Orange G Green	C Ceiling P Pendant B Bracket

### Ordering Requirements

Cat. No.	Lamp Watts	Temp. Class (for zone 1 & 2)		Max. Surface Temp.* (for zone 21 & 22)		Volume (dm <sup>3</sup> )	Approx. Weight (kgs.)
		Ta 40 °C	Ta 55 °C	Ta 40 °C	Ta 55 °C		
<b>Incandescent Lamp</b>							
EOB-60IN □ □	60W.	T6	T5	T80°C	T100°C	3.92	7.95
EOB-100IN □ □	100W.						
<b>Compact Fluorescent Lamp</b>							
EOB-11CF □ □	11W.	T6	T5	T80°C	T100°C	3.92	7.89
EOB-15CF □ □	15W.						
<b>LED Bulb</b>							
EOB-04LED □ □	4W.	T6	T5	T80°C	T100°C	3.92	7.75
EOB-06LED □ □	6W.						
EOB-08LED □ □	8W.						
EOB-10LED □ □	10W.						

Remark \* : The maximum surface temperatures are specified for dust free condition. The dust layer which may cover around the lighting fixture will cause to higher surface temperature.

### Dimension



Ceiling mounting

Pendant mounting

Bracket mounting

