

Signal and Alarm: Low-intensity Obstacle Light (Red light), DOB Series



Flameproof & Increased Safety Zone 1 & 2 - 21 & 22

Application

The DOB low-intensity obstacle lights are designed for aviation warning purpose. They are suitable for installation on towers or tall buildings in zone 1, 2 and zone 21, 22 hazardous areas.

Specification

- Body material : Marine grade copper-free aluminium alloy with polyester powder coated, RAL 7032 (grey)
- Globe : Borosilicate glass
- Guard, bolts : Stainless steel
- Seal gasket : Silicone -40 °C to +175 °C

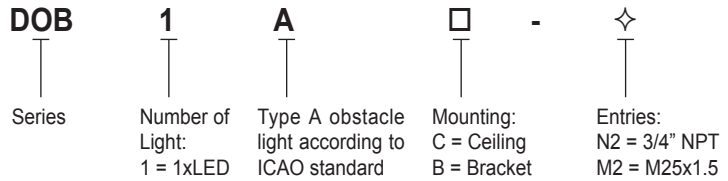
Electrical Rating

- Lamp : "Philips" XGP500 1xLED-K2/RD
Light emitting diode (LED), red colour
50,000 hrs. extremely long lamp life
- Power consumption : < 5W.
- Luminous intensity : > 15 cd
(horizontal radiation coverage 360°)

Technical Data

Hazardous Area	Gas	Dust
Zones	1 & 2	21 & 22
Conforming to ATEX	II 2G	II 2D
Symbol of Protection ATEX	Ex db eb IIB Gb	Ex tb IIIC Db
Symbol of Protection IEC		
T Rating	T6 (Ta 40 °C) T5 (Ta 55 °C)	NA
Surface Temp.	NA	T80°C (Ta 40 °C) T100°C (Ta 55 °C)
Standard	ATEX Directive 2014/34/EU, std. EN 60079-0:2012, EN 60079-1:2014, EN 60079-7:2007, EN 60079-31:2014, IECEx Scheme, std. IEC 60079-0:2011, IEC 60079-1:2014, IEC 60079-7:2015, IEC 60079-31:2013	
Ambient Temperature	-20 °C to +55 °C	
Index of Protection	IP66	
Connection	L, N, E ; for 1-4mm. ² cable	
Entries	2- Ø3/4" NPT or 2- M25x1.5 (specify)	
Mounting	Ceiling or Bracket type	

Catalogue Number

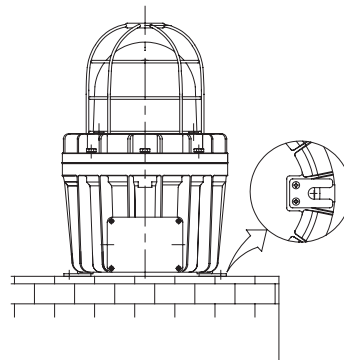


Cat. No.	Voltage	Current	Approx. Weight (kgs.)
DOB 1A □ - ✧	100-240V.AC. 50/60Hz.	0.02A.	13.19

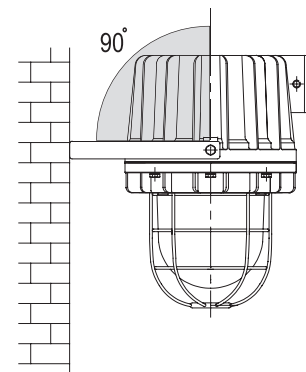


Mounting

Ceiling Mounting



Bracket Mounting



Dimension

