

Switches and Plugs: Snap Switches, ESN Series



Flameproof Zone 1 & 2 – 22

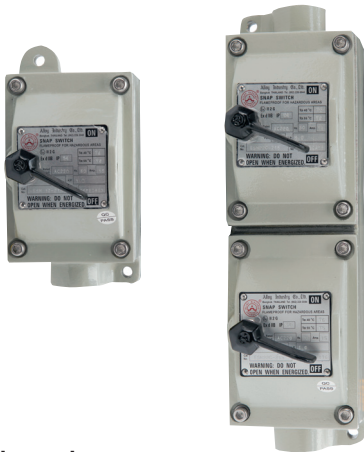
Application

The ESN snap switches are designed

- for disconnecting means of small AC or DC appliances or lighting circuits.
- to prevent arcing of enclosed switches during connect and disconnect operation in zone 1, 2 and zone 21,22 hazardous areas.

Specification

Body, cover : Marine grade copper-free aluminium alloy with polyester powder coated, RAL 7032 (Grey)
Bolts : Stainless steel



Technical Data

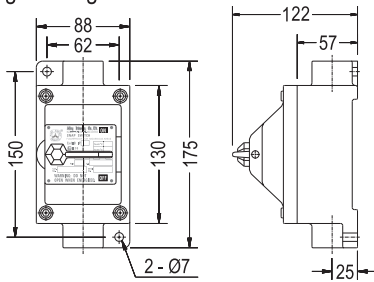
Hazardous Area	Gas	Dust
Zones	1 & 2	22
Conforming to ATEX	II 2G	II 2D
Symbol of Protection ATEX	Ex db IIB Gb	Ex tc IIIC Dc
Symbol of Protection IEC		
T Rating	T6 (Ta 40 °C) T5 (Ta 55 °C)	NA
Surface Temp.	NA	T85°C (Ta 40 °C) T100°C (Ta 55 °C)
Standard	ATEX Directive 2014/34/EU, std. EN 60079-0:2012, EN 60079-1:2014, EN 60079-31:2014 IECEx Scheme, std. IEC 60079-0:2011, IEC 60079-1:2014, IEC 60079-31:2013	
Ambient Temperature	-20 °C to +55 °C	
Index of Protection	IP54	
Entries	Ø1/2", Ø3/4" NPT or Ø1" NPT	
Mounting	Wall type	

Catalogue Number

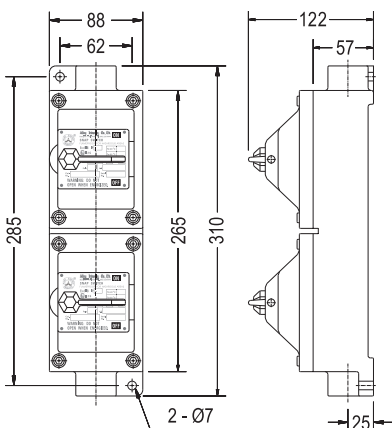
ESN	X	X	C -	2	XX
Series	Gang: 1 = Single gang 2 = Two gangs	Entries: 1 = Ø 1/2" NPT 2 = Ø 3/4" NPT 3 = Ø 1" NPT	Type: none = Dead-end C = Through-feed	Number of Pole: 2 = 2-Poles	Ampere: 10 = 10A. 15 = 15A. 20 = 20A. 30 = 30A.

Dimension

Single Gang



Two Gangs



Ampere Rating (2-Poles)	Entries Thread	Cat. No.		Volume (dm ³)	Approx. Weight (kgs.)
		Dead-end (Top)	Through-feed		
Single Gang					
10A.	Ø1/2" NPT	ESN11 - 210	ESN11C - 210	0.51	1.55
	Ø3/4" NPT	ESN12 - 210	ESN12C - 210		
15A.	Ø1/2" NPT	ESN11 - 215	ESN11C - 215	0.51	1.55
	Ø3/4" NPT	ESN12 - 215	ESN12C - 215		
20A.	Ø1/2" NPT	ESN11 - 220	ESN11C - 220	0.51	1.55
	Ø3/4" NPT	ESN12 - 220	ESN12C - 220		
30A.	Ø3/4" NPT	ESN12 - 230	ESN12C - 230	0.51	1.55
	Ø1" NPT	ESN13 - 230	ESN13C - 230		
Two Gangs					
10A.	Ø3/4" NPT	-	ESN22C - 210	1.03	2.65
	Ø1" NPT	ESN13 - 210	ESN23C - 210		
15A.	Ø3/4" NPT	-	ESN22C - 215	1.03	2.65
	Ø1" NPT	ESN13 - 215	ESN23C - 215		
20A.	Ø3/4" NPT	-	ESN22C - 220	1.03	2.65
	Ø1" NPT	ESN13 - 220	ESN23C - 220		
30A.	Ø1" NPT	-	ESN23C - 230	1.03	2.65